

Installation and Safety Instructions

Battery Powered LED Touch Table Light

Safety Warnings

These instructions are for your safety. Please read through them thoroughly before use and retain them for future reference. If you are in any doubt about installing this product, consult a qualified electrician.

This product may contain delicate parts – be careful during handling and maintenance to avoid breakage.

This product is battery powered and the internal battery is recharged via a supplied USB-A to USB-C cable.

This product should only be connected to equipment of Class II or class III.

Batteries are only to be charged by persons over 8 years of age.

Only charge via a input max. 11W DC 5V 1A plug-in adapter (phone charger or similar USB outlet).

This product is for indoor use only, and not suitable for a bathroom or outdoor location.

Do not plug this product directly into the mains or by other means other than the supplied cable.

This product is not suitable for children under 3 years of age.

The battery must not be opened, destroyed or incinerated.

The battery in this product is non-replaceable and if damage occurs must be disposed of responsibly.

The light source in this product is non-replaceable and if damage occurs, the product should be scrapped.

Charge the battery before first use. Ensure the product is fully charged before operating. The light indicator on base will turn from red to green when fully charged.

To operate the touch dimmer, just touch the button (one touch – low light level 40lm, second touch – brighter 80lm, third touch – brightest 155lm and fourth to turn off).

Top up the battery by charging the lamp until the light turns green.

Always unplug after charging. Do not use while charging to extend battery life.

Never put anything on the product or hang anything on any part of this product.

If the external flexible cable or cord of this luminaire is damaged, it must only be replaced by a qualified electrician to avoid any electrical hazards.

Waste electrical products should not be disposed of with household waste. Please recycle where facilities exist. Check with your Local Authority or local store for recycling advice.

Care and maintenance

Clean the fitting with a soft dry cloth. Do not use abrasive chemical cleaners as this will damage the finish.

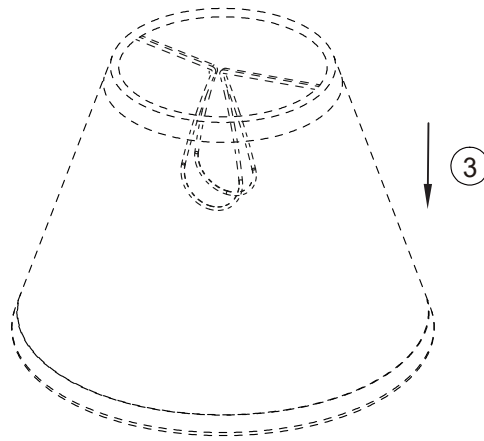
Troubleshooting

Please note the touch sensor will use a small amount of current at all times and will slowly drain the battery even when the light is off.

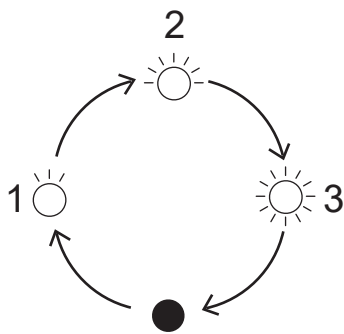
If you find the lamp turning itself off, even when the product is put on charge, it means the battery has been almost completely drained and needs initial charging before the lamp can be switched on again.

If you have any doubt about installation/use of this product, consult a qualified electrician.

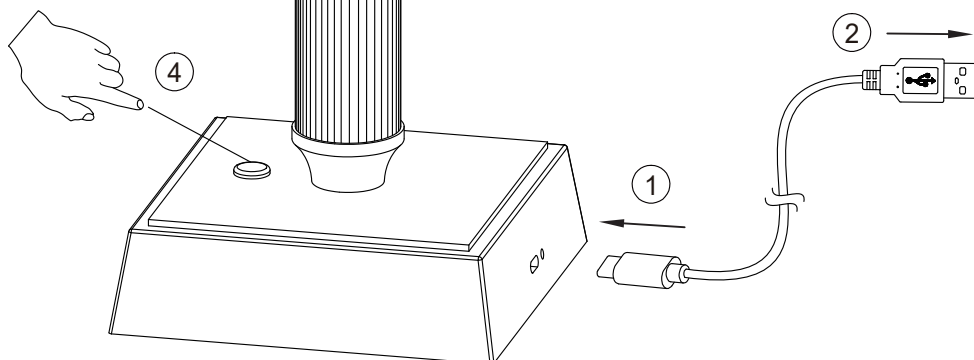
Assembly Instructions



Stage 1 – 40lm, 15hr lifetime.
Stage 2 – 80lm, 10hr lifetime.
Stage 3 – 155lm, 6.5hr lifetime.



3 stage dimmer switch



Charge time
– 5hrs when fully discharged for full charge.

Max 11W DC 5V 1A



- (EN) Scan QR code for multi-language
- (FR) Scannez le code QR pour plusieurs langues
- (ES) Escanee el código QR para varios idiomas
- (PL) Zeskanuj kod QR dla wielu języków
- (DE) Scannen Sie den QR-Code nach mehreren Sprachen
- (IT) Scansiona il codice QR per multilingua